

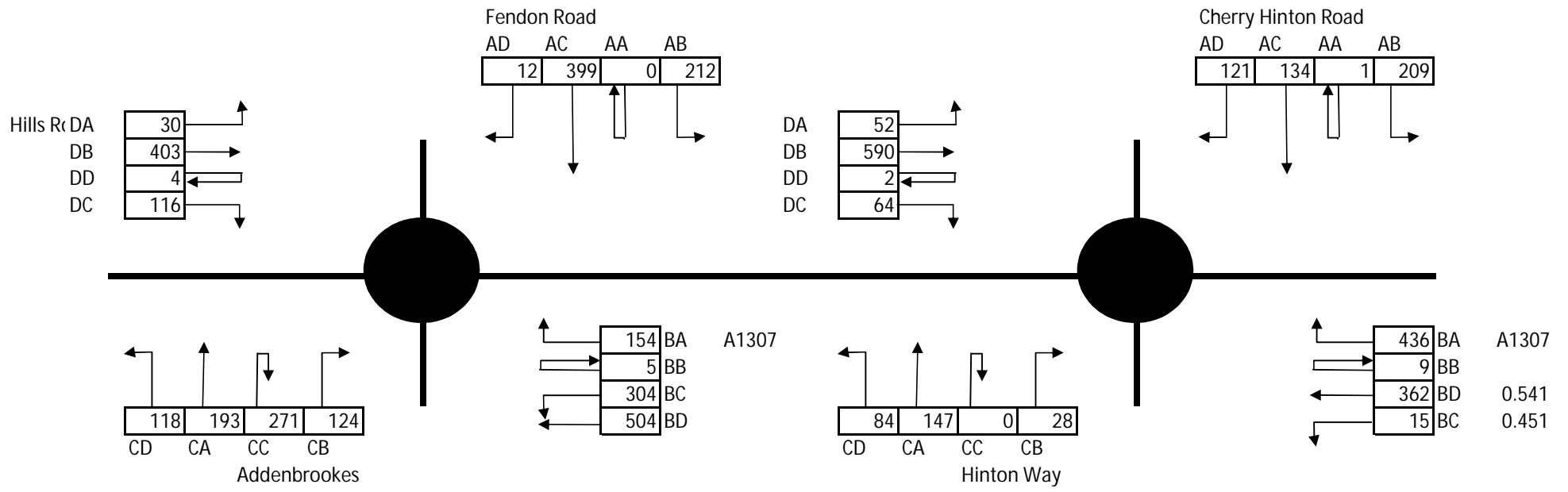
REPORT N° 70012014-2016-04

A1307 HAVERHILL TO CAMBRIDGE

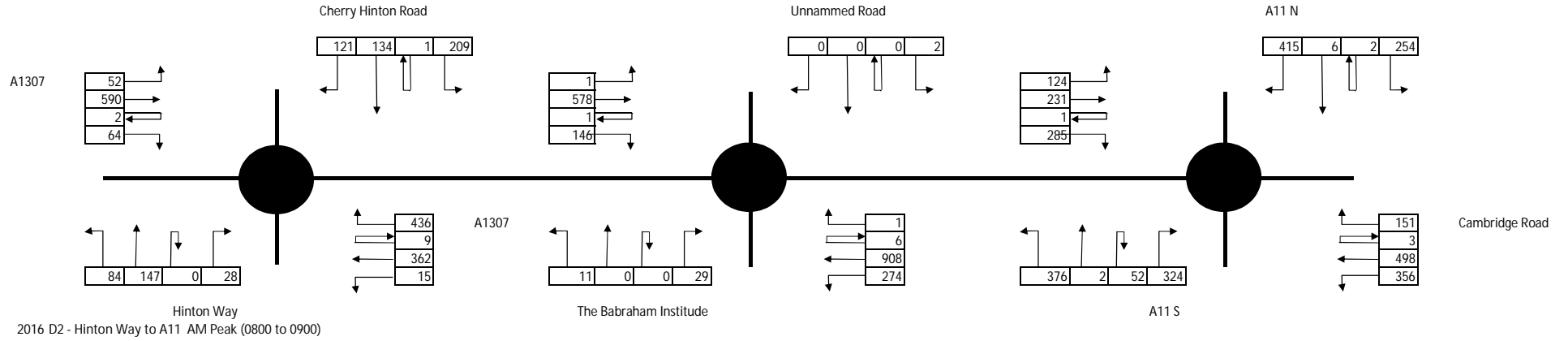
PREFERRED OPTIONS REPORT APPENDICES

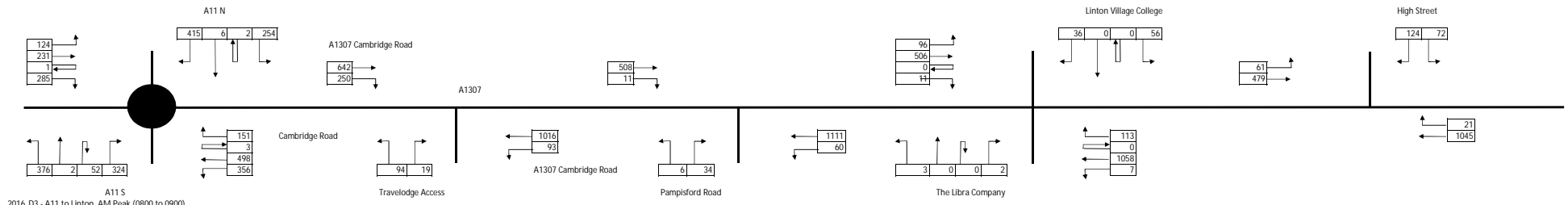
FEBRUARY 2017

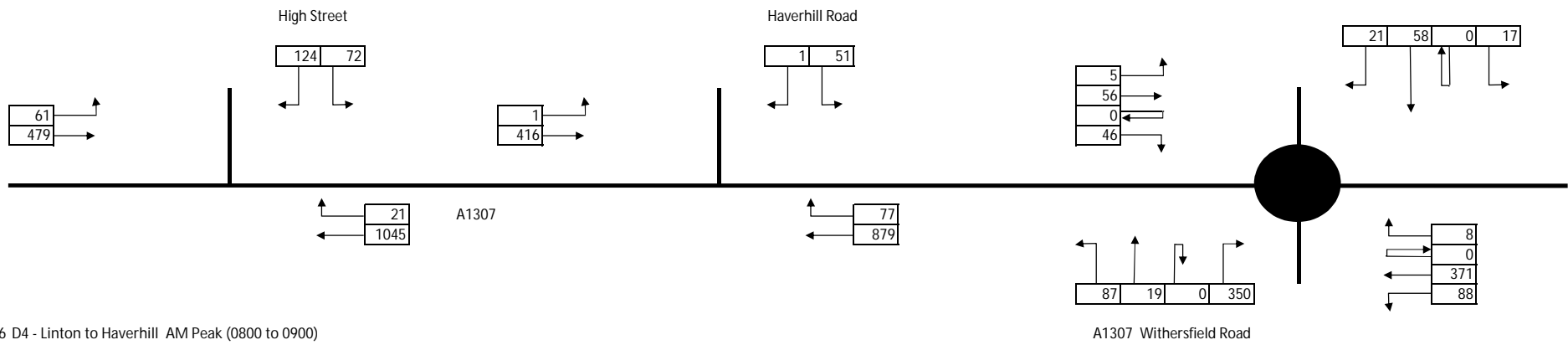
APPENDIX H

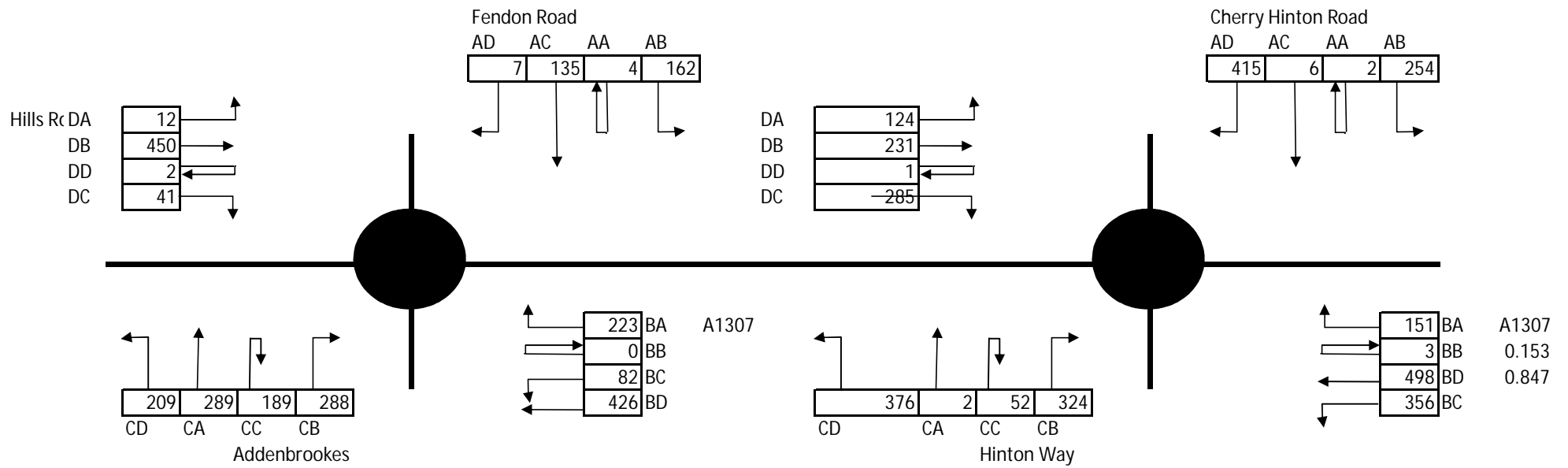


2016 D1 - Addenbrookes to Hinton Way AM Peak (0800 to 0900)

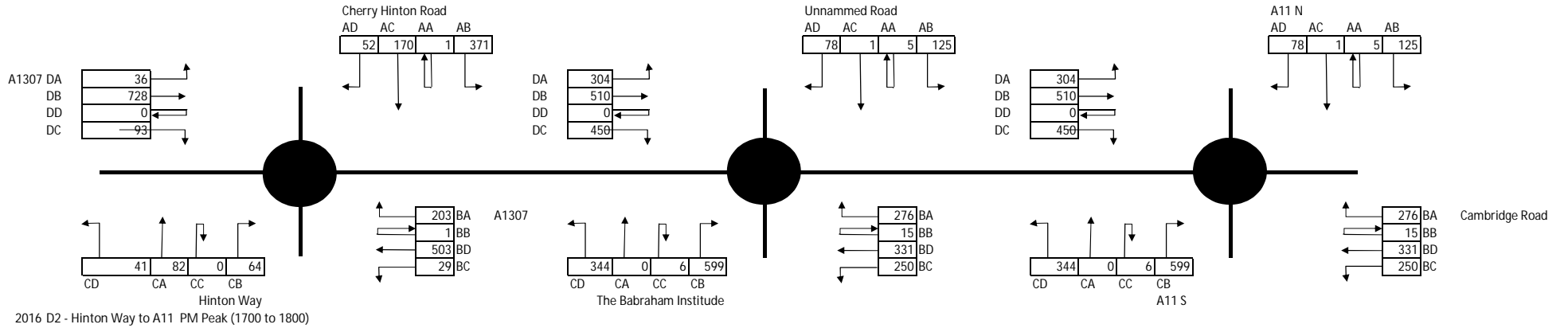


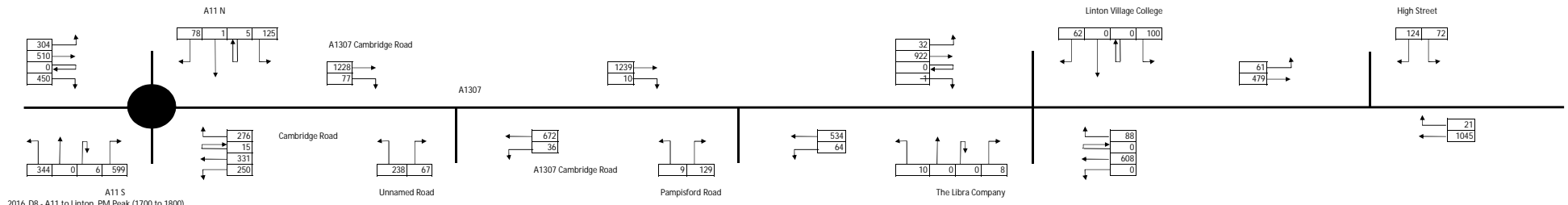


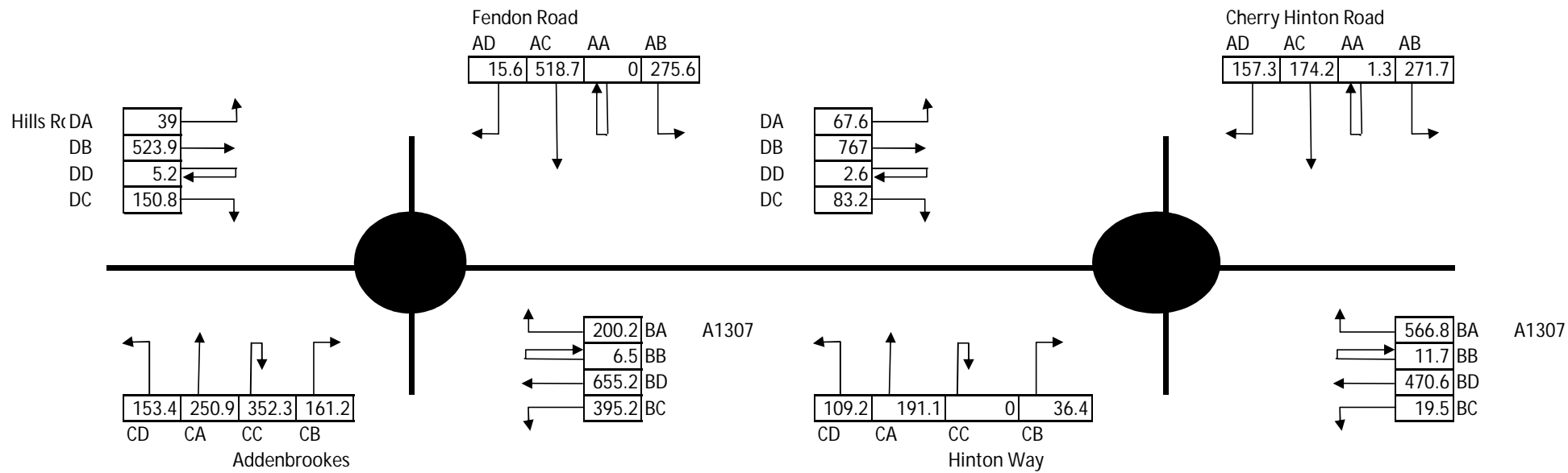




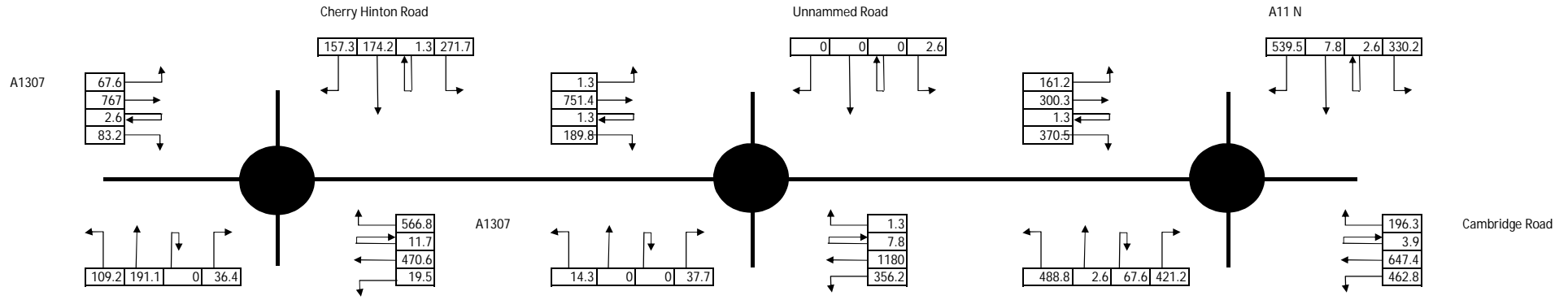
2016 D6 - Addenbrookes to Hinton Way PM Peak (1700 to 1800)



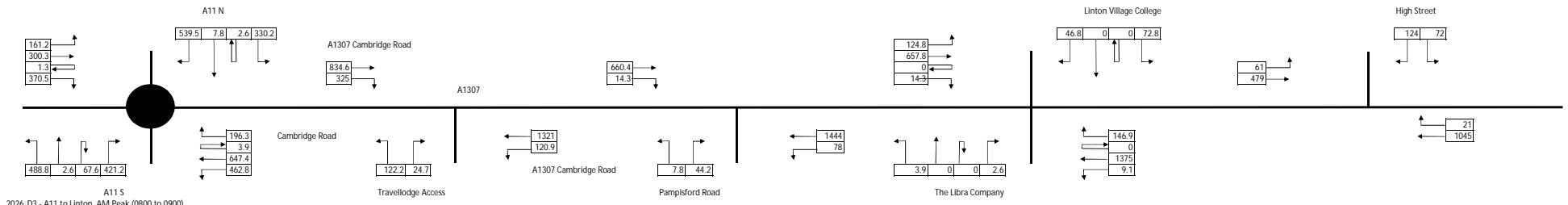


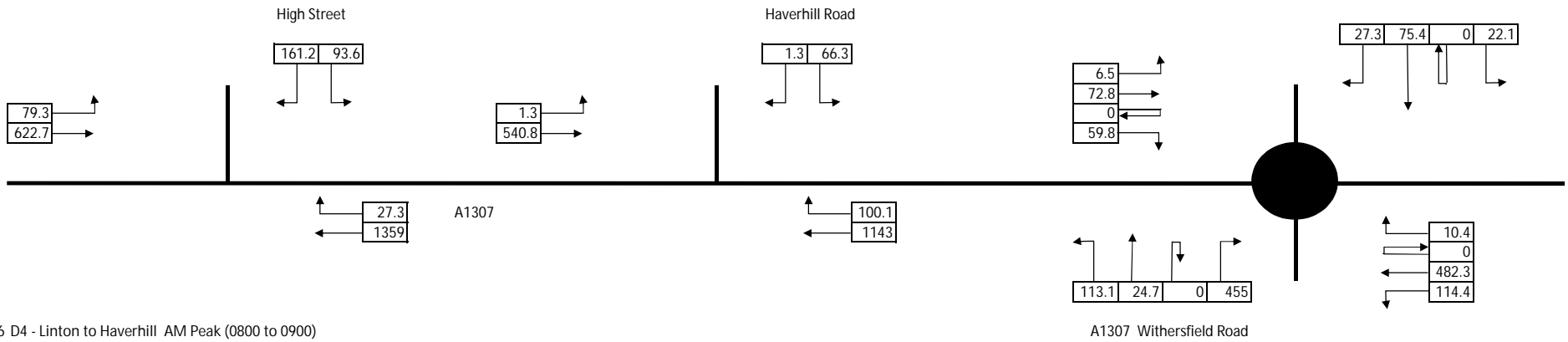


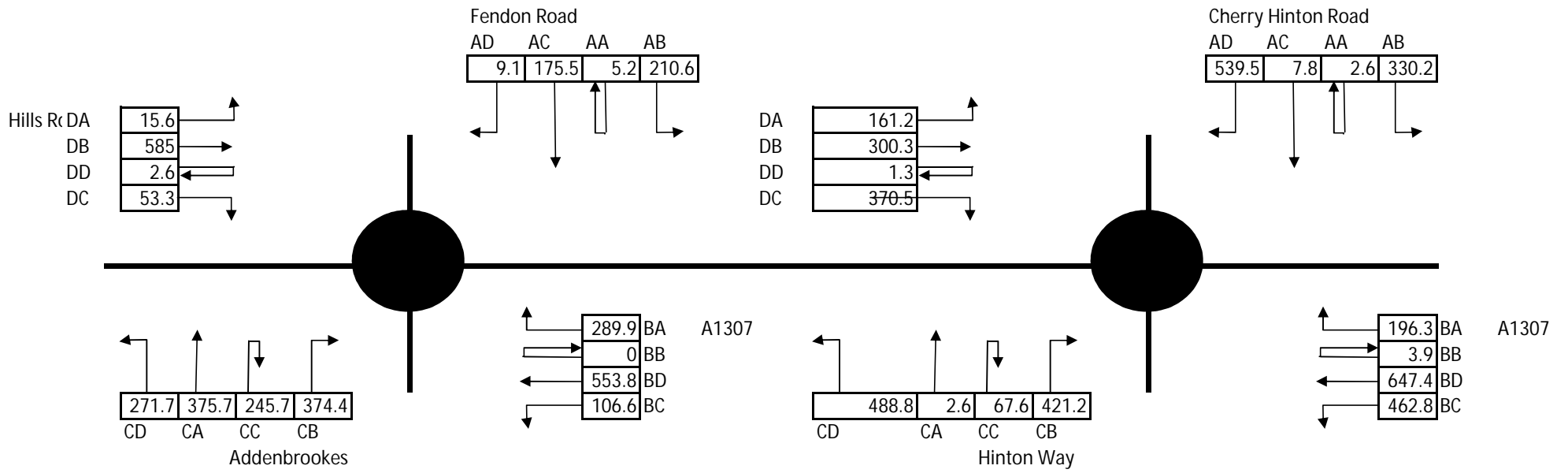
2026 D1 - Addenbrookes to Hinton Way AM Peak (0800 to 0900)



Hinton Way
2026 D2 - Hinton Way to A11 AM Peak (0800 to 0900)







2026 D6 - Addenbrookes to Hinton Way AM Peak (0800 to 0900)

